



Sanitary
flow
equipment

Quality System
Certified ISO 9001



VST 300130 MAN-T-TC dimensions Rev.2
Page 1 of 2

VS3V THREE WAYS BALL VALVE 300130



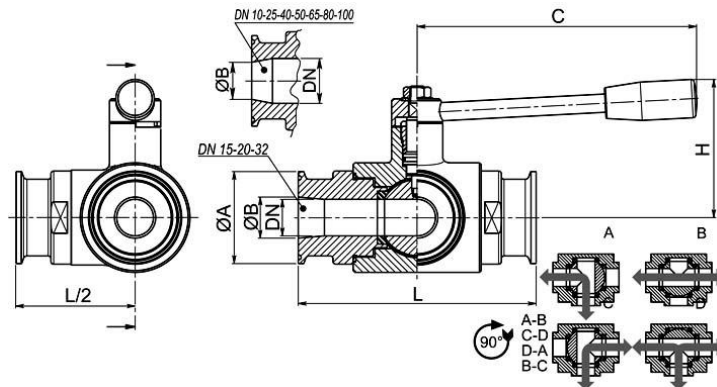
300130_BS

THREE-way ball valve 4 seals with "T" port
Drive: Inox lever
Connection: **CLAMP norm. DIN 32676 TAB.4 REIHE C**
According to normative BS/OD (ASTM A270) for TUBE
Flow: full and reduced
Material: Aisi 304L e 316L
Measure: from 1/2" to 4"
Seals: virgin P.T.F.E.
Operating temperature: -20°C +160°C
Outer finish: polished

On Request

Antistatic device ATEX (Directive 94/9/EC)

- KF connection
- Seals made of:
P.T.F.E. with glass
P.T.F.E. with carbographeite
High-molecular weight polyethylene



CLAMP REIHE C DN/OD	DN	L	Ø A	Ø B	C	H	PN	Kg	CODE AISI 316L
1/2"	10	108	25	9,7	110	60	40	1,08	300130 61210
3/4"	15	118	25	16	110	65	40	1,30	300130 61810
1"	20	130	50,5	22,2	160	70	40	2,45	300130 62410
1"	25	140	50,5	22,2	160	80	40	3,13	300130 62610
1 1/2"	32	156	50,5	34,8	190	95	40	4,90	300130 63210
1 1/2"	40	172	50,5	34,8	190	110	40	7,26	300130 63410
2"	50	182	64	47,5	235	120	25	8,60	300130 63810
2 1/2 *	65	196	77,5	60,2	285	130	25	10,70	300130 64410
3" *	80	256	91	72,6	310	145	16	22,11	300130 64810
4" *	100	286	119	97,6	310	160	16	34,97	300130 65410

* Four way

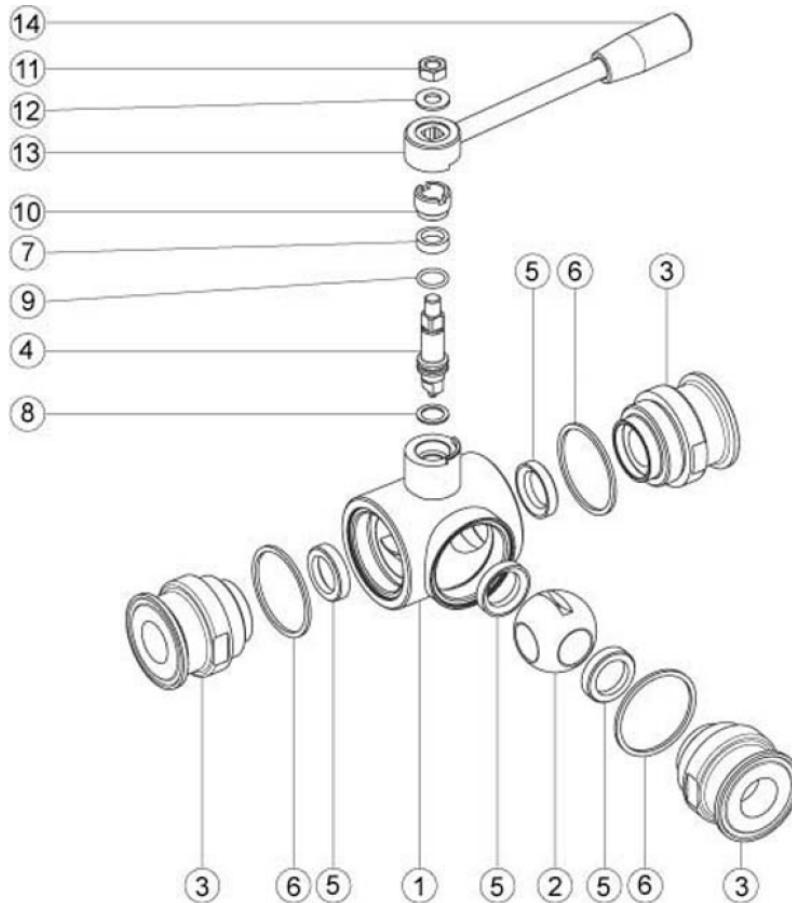
Aerre Inox s.r.l.

26010 FIESCO Via Gerola n.4 -CREMONA- Italy
Tel. +39.0374.370828 Fax +39.0374.370833
e-mail : info@aerreinox.it http : www.aerreinox.it

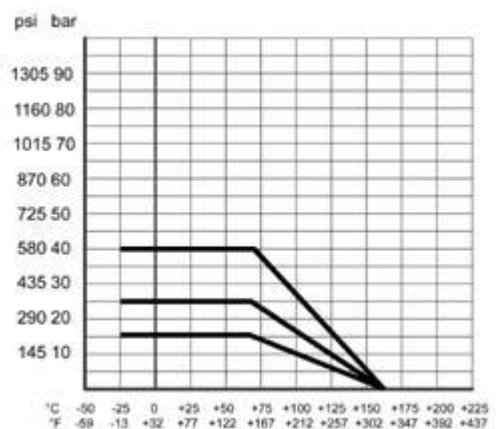


Sanitary
flow
equipment

VST 300130 MAN-T-TC dimensions Rev.2
Page 2 of 2



POS.	DENOMINATION	PCS	MAT.
1	Body	1	AISI 316L
2	Ball	1	AISI 316L
3	Sleeves	3	AISI 316L
4	Stem	1	AISI 316L
5	Ball seals	4	PTFE
6	Sleeve seals	3	PTFE
7	Stem seal	1	PTFE
8	Stem seal	1	PTFE
9	Stem OR-seal	1	FKM
10	Register ring	1	AISI 304L (303)
11	Nut	1	AISI 304L
12	Washer	1	AISI 304L
13	Lever	1	AISI 304L
14	Handle	1	Resina



Get the information you need and more at : info@aerreinox.it

In the interests of development and improvement of the product, we reserve the right to change the specifications without prior notice.

Aerre Inox s.r.l.

26010 FIESCO Via Gerola n.4 -CREMONA- Italy
Tel. +39.0374.370828 Fax +39.0374.370833
e-mail : info@aerreinox.it http : www.aerreinox.it